

SmartLink™ SL-2-DC RDM Controller

Remote Device Management for DC Devices

- Reboot Devices Remotely
- Change Run-Times Remotely
- Cloud-Based Proof of Performance
- Power Outage Alert Notifications
- Battery Temperature Monitoring and Voltage Alerts
- Centralized Inventory Management for Field Assets



SmartLink is an asset management system designed to remotely manage and control field assets from one centralized platform. The SL-2-DC controller remotely monitors, schedules, and reboots up to two DC assets through its cloud-based management system. When assets go offline, the SL-2-DC notifies users and enables remote rebooting through its Cat-M1 connection. The SL-2-DC provides clarity on whether issues are caused by lack of power or lack of connectivity, which speeds up troubleshooting and reduces asset downtime.

The SL-2-DC allows up to two assets to operate on separately scheduled run-times with individual week-day scheduling capabilities. The SmartLink system offers a Smart Weather feature to activate devices during unplanned inclement weather and has an open API to integrate into Content / Inventory Management Systems and CAD-AVL platforms. OutdoorLink has installed over 85,000 SmartLink systems globally and provides 24/7 technical support from its Huntsville-based support team.

Commonly Managed DC Devices:

- | | | |
|---|---|---|
| <input type="checkbox"/> LED, LCD, E-Paper Signage | <input type="checkbox"/> Illuminated Static Advertising | <input type="checkbox"/> USB Charging Ports |
| <input type="checkbox"/> Bus Stop Shelter & Pole Lighting | <input type="checkbox"/> WIFI Routers | <input type="checkbox"/> Text-to-Speech Buttons |
| <input type="checkbox"/> Solar Batteries | <input type="checkbox"/> Media Players | <input type="checkbox"/> Security Cameras |

Technical Specifications:

Device Management	Manages up to 2 DC devices per controller
Runtime Settings	Automatic, GPS based sunrise/sunset times and/or manual time scheduling with integrated real-time clock
Enclosure	Polycarbonate, 6 x 3 x 1 in. (approx. 15.2 x 7.6 x 2.5 cm)
Input Voltage	8-30Vdc @ 6A
Output Voltage	8-30Vdc per output
Output Power	3A per port
Power Consumption	0.15 W or ~0.01 A
Connectivity	LTE Cat-M1 cellular connection with internal SIM & integrated antenna with external antenna option
Smart Weather	Devices activated outside their scheduled run-times during inclement weather per NOAA forecast maps
Operating Temp.	-20°C to 70°C
Environmental	Polycarbonate enclosure, 0-95% humidity, non-condensing, RoHS
Wiring Connection	Terminal block, 18AWG
System Reporting	Power readings, proof of performance, alarm history, maintenance log, battery temperature
Alarm Notifications	Loss of power, low power, power restore

SL-2-DC Interface

The SL-2-DC controller can manage up to two DC devices that are either AC or DC/solar powered. Below is a summary of interface options, however not all features will apply to all installations.

Top View



Front View

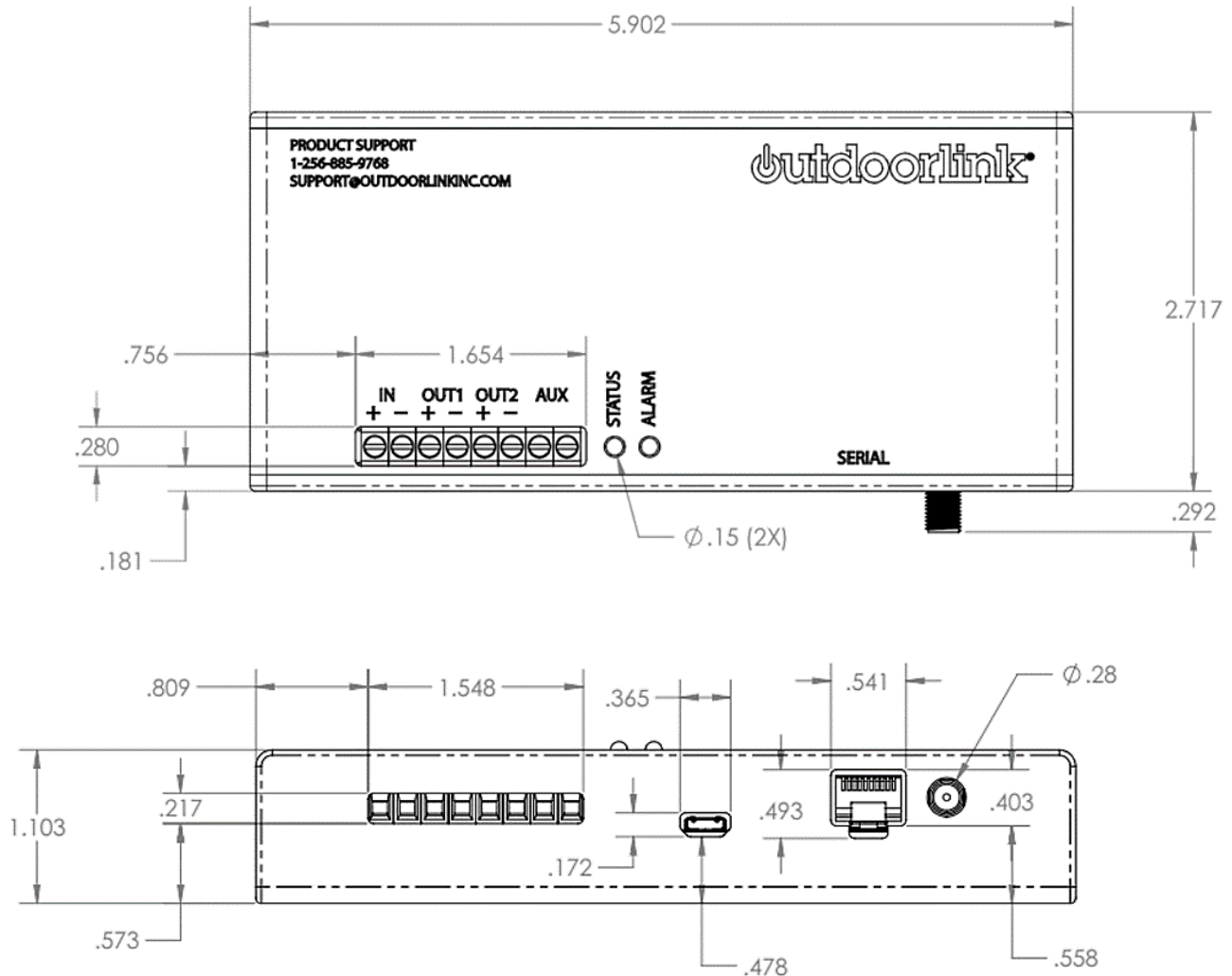


SL-2-DC Interface Items

1	Terminal Block IN (+)
2	Terminal Block IN (-)
3	Terminal Block OUT1 (+)
4	Terminal Block OUT1 (-)
5	Terminal Block OUT2 (+)
6	Terminal Block OUT2 (-)
7	Terminal Block Temp/AUX
8	Terminal Block Temp/AUX
9	USB 2.0 Micro-B Female
10	RJ45 to Serial Female
11	Connector for optional external antenna

SL-2-DC Engineered Drawings

Shown below are technical drawings for the SL-2-DC in inches.

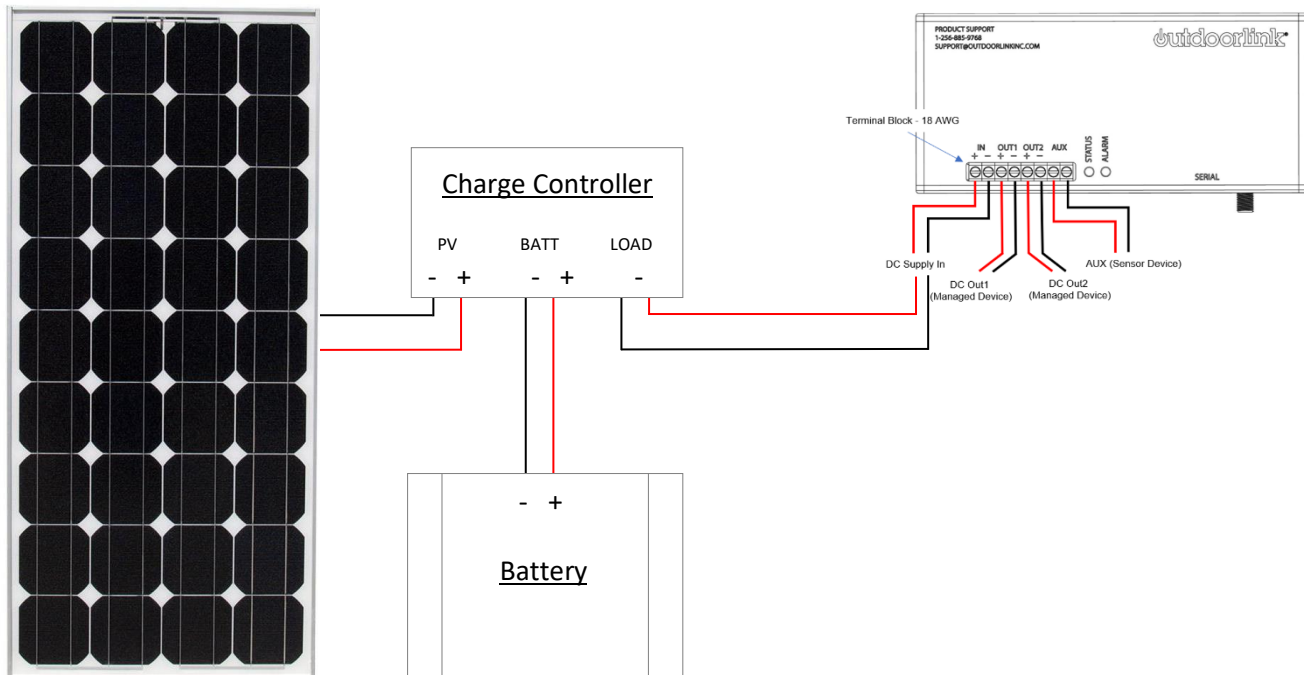


SL-2-DC Outside Dimensions

Height	1.103 in.
Width	2.717 in.
Length	5.902 in.

SL-2-DC Wiring Diagram (Solar Powered Systems)

Shown below is an example of how the SL-2-DC may integrate into a solar powered system.



SL-2-DC Wiring Specifications

Device Management	Manages up to 2 DC devices
Input Voltage	8-30Vdc @ 6A
Output Voltage	8-30Vdc per output
Output Power	3A per port
Wiring Connection	Terminal block, 18AWG
Auxiliary Output	Battery thermistor attachment for temperature monitoring