

## Marketing Datasheet

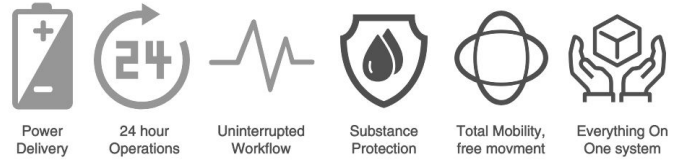
### Geni-Tec Power on Pole solution



Single Power On Pole



Double Power On Pole



### Features

- Easy cleaning
- Lightweight maneuverability
- Retrofit to existing equipment
- Power ready with our Geni-Tec™ power modules
- Sleek easy use design
- OEM customisation for specific applications
- Single or dual dock systems
- Easy washable 216 Wh power modules (IP67)

The Geni-Tec Power On Pole integrates our award winning Geni-Tec intelligent power system into a small form factor unit that can neatly fit onto any 2" (50mm) roll stand or pole. This self contained system wraps around the pole, bringing immediate mobile power for uninterrupted use (2 dock version)

Sleek in design, secure and robust the Geni-Tec™ system provides regulated DC to drive most applications, including our own Eco-Stand. Perfectly balanced, the 'Hot Swap' Battery system means the Power On Pole solution enables otherwise static devices to stay mobile and can easily be retrofittable to existing equipment.

Our OEM design service can tailor your needs, to discuss the options available please contact us for more information.

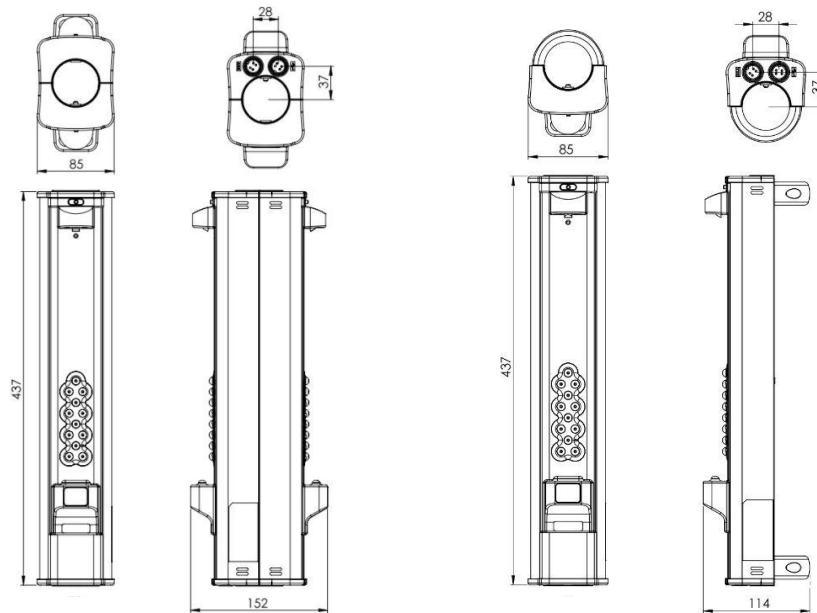


### Customization

For customisation options please contact the sales team on +44 (0) 1737 378 820

## Marketing Datasheet

### Geni-Tec Power on Pole solution



**Double Power On Pole**

**Single Power On Pole**

	Dual power on pole	Single power on pole
<b>Input Voltage</b>	28VDC (via optional GEN-PSU-220 Supplied Separately)	
<b>Output Voltage</b>	12-28 VDC (Firmware adjustable)	
<b>Output Power (max)</b>	100 W @ 12-18 VDC	150 W @ 19-28 VDC
<b>Power Capacity (max)</b>	432 Wh max	216 Wh max
<b>Charge Current</b>	4.0 A (max)	
<b>Recharge Time</b>	5.0 hrs (typ) - Two power modules	2.5 hrs (typ) - One power module
<b>Operating Temperature</b>	1°C to 40°C (34°F to 104°F)	
<b>Storage Temperature</b>	-10°C to 35°C (14°F to 95°F)	

**Ordering** Please find the part number configurator below. For more configuration please visit our website.

Family	Product Description	Part Number
GEN	Geni-Tec Power on Pole (Single Dock / 35mm Pole)	<b>GEN-450-P01-C01-35</b>
	Geni-Tec Power on Pole (Single Dock / 50mm Pole)	<b>GEN-450-P01-C01-50</b>
	Geni-Tec Power on Pole (Dual Dock / 35mm Pole)	<b>GEN-460-P01-C01-35</b>
	Geni-Tec Power on Pole (Dual Dock / 50mm Pole)	<b>GEN-460-P01-C01-50</b>
	Geni-Tec power module	<b>GEN-B201-C01-02</b>

#### Notice

Bytec Healthcare takes reasonable steps to ensure that all technical information and recommendations disclosed in our datasheets, brochures and website are based upon our experience and research, it is provided in good faith. Users shall independently determine the suitability of the products shown for their particular regional requirements and intended use, and will ensure that they meet the relevant regulations for the countries of use, as these may differ greatly from country to country. As such we accept no liability whatsoever for any inaccuracies herein disclosed. Please feel free to contact our technical teams, who would be delighted to advise you on specific regulatory issues. Bytec Healthcare reserves the right to alter, delete or make obsolete any product featured in its brochures, datasheet and website without prior notice. E&OE. © Copyright Bytec Healthcare Limited 2019. Power On Pole is a trademark of Bytec Healthcare Ltd.