

# IOBA-10F-AD

10.1" RISC Base Panel PC

**Preliminary**



## Features

- 10.1" 1280x800 LCD
- Project Capacitive Touch Screen
- CPU: Freescale i.MX6 Cortex-A9 Quad-Core 1GHz
- OS: Android 5.1
- Boot Flash: 8GB eMMC Nand Flash
- RAM: 2GB DDR3 SDRAM on board
- 6 X IOT Sensor connectors



## Specifications

Model	IOBA-10F-AD
LCD Size	10.1 " (16:9)
Resolution	1280(W) x 800(H)
Brightness (cd/m <sup>2</sup> )	300
Contrast Ratio	800:1
LCD Color	262K
Pixel Pitch (mm)	0.1695 x 0.1695
Viewing Angle	85/85/85/85 Deg.
Backlight MTBF(hrs)	20000
Touch Screen	Project Capacitive
CPU	Freescale i.MX6 Cortex A9 Quad-Core 1.0GHz
RAM	2GB DDR3 SDRAM
Boot Flash	8GB eMMC Nand Flash
Boot Flash OS Support	Android 5.1
Input / Output	1 x 10/100/1000 Mbps Ethernet w/ POE (WAN) 1 x 10/100/1000 Mbps Ethernet w/o POE (LAN) 2 x USB 2.0 1 x RS-232/422/485 support software controllable(DB9) 1 x RS-232 Full-Function (DB9) 1 x 13.56MHz 6 x Sensor connectors 8 x DIO 1 x DC jack 1 x Reset button 1 x SD slot (Hidden)
Audio	1 x 2W Speaker
Camera	1 x 5.0MP CMOS webcam
Thermal Solution	Fanless
Wireless	BT4.0 + Wi-Fi Controller for 802.11 a/b/g/n
Construction Material	Plastic front cover and rear cover
Mounting	Panel, Wall,
Color	White
Dimensions (WxHxD) (mm)	282.5 x 174.3 x 14.7
Operating Temperature	0°C ~ 50°C
Storage Temperature	-10°C ~ 60°C
Humidity	5%~90% non-condensing
IP Level	IP64 front panel only
Power Requirement	9~30V DC

### Options

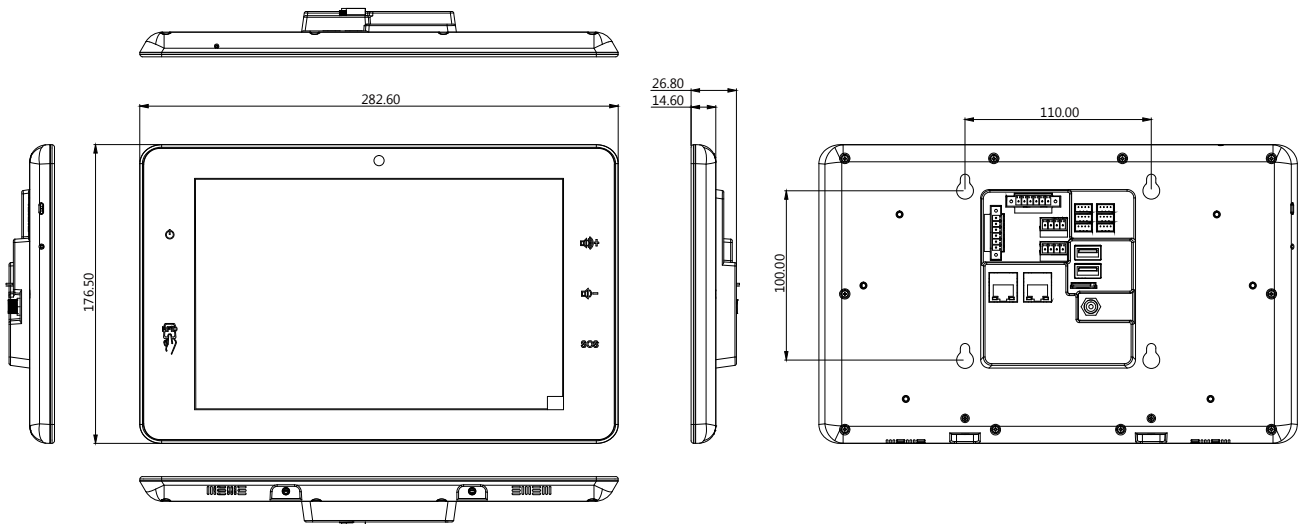
<b>Item</b>	<b>IOBA-10F-AD</b>
Power Adapter	63040-010060-130-RS (Vin:90~264VAC;60W;Vout:12VDC)
Panel Mount Kit	FPK-01-R10

### Ordering Information

Part No.	Description
IOBA-10F-AD-R10	10.1" Freescale i.MX6 Cortex-A9 QC 1.0GHz; POE 802.3at; COM port; DIO; 4pin sensor connector; Front 5M Camera; NFC; Android 5.1; RoHS
IOBA-10F-AD-ET-R10	10.1" Freescale i.MX6 Cortex-A9 QC 1.0GHz; POE 802.3at; COM port; Front 5M Camera; Android 5.1; RoHS

#### IOBA-10F-AD Dimensions

(Unit: mm)



#### IOBA-10F-AD-ET Dimensions

(Unit: mm)

